

► Brunata multi-jet water meter, type BBM

Multi-jet mixer tap meter for cold and hot utility water with built-in closing valve

Characteristics

- Multi-jet utility water meter for mixer tap
- An easy-to-read, mechanical counter (can be rotated 360 °)
- Connecting housing with built-in closing valve
- Suitable for use with cold water up to 30 °
- Suitable for use with hot water up to 90 °
- No changes are needed in the piping arrangement for installation
- Display reading in cubic meters (3 decimals)
- Pulse outlet for remote reading is optional
- Approved according to EEC, verified
- Approval class: A

Further information

Brunata BBM is a multi-jet impeller meter in completely dry-running design. It has been designed especially for use in connection with mixer taps. The meter must be installed on the back of the mixer tap requiring no changes of the piping arrangement, thus eliminating the issue of concealed pipes.

Brunata BBM is available for the metering of hot water (BBM VA), hot and cold water (BBM KV) or cold water (BBM KA) respectively.

If for instance only metering of hot water consumption is of interest a spacing fitting (BBM-A) is available for installation on the cold water side.

The meter is chromium-plated and corrosion-resistant.

Using standard meters in special fittings is more cost-effective when the meter is replaced for re-verification.



Type	Article no.
Connecting housing for BBM-K and BBM-V	
BBM-G	19-7588-H
Meter part for BBM-G cold water	
BBM-K	19-7789-H
Meter part for BBM-G hot water	
BBM-V	19-7589-H
Spacing fitting	
BBM-A	19-7599-H

Brunata is a 100 % Danish owned company. We have more than 85 years of experience within the development and production of heat cost allocators, heat meters and heating accounts. Brunata has implemented a quality system in accordance with EN ISO 9001. Please contact us for further information on our products.

Technical data

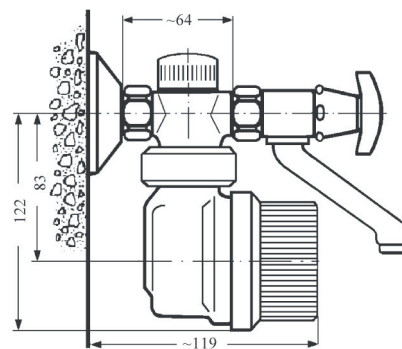
Type				BBM
Nominal flow rate		q_n	m ³ /h	1.5
Maximum flow rate	Transitory	q_{max}	m ³ /h	3.0
Transition flow rate		q_t	l/h	150
Minimum flow rate		q_{min}	l/h	60
Starting flow		q_{start}	l/h	12
EU accuracy class				A
Accuracy of measurement	Verification limits	$q_{min}-q_t$		± 5 %
		q_t-q_{max}		± 2 %
Max temperature	Cold-water meter	Class B		30 °C
	Hot-water meter	Class B		90 °C
Pressure class			Bar	PN10

Dimensions

Typ			BBM
Length	L	mm	
Width	B	mm	*)
Height	H	mm	
Connecting thread	Meter	Inches	G3/4B
	Fittings	Inches	G3/4B

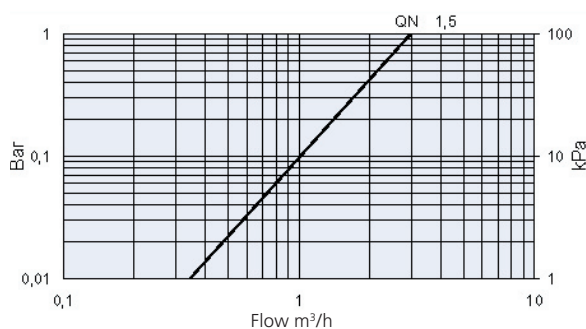
*) see dimensional outline

Dimensional outline



The mixer meter comes with a built-in closing device.

Head loss graph



The head loss curve is valid for a meter without fittings

Please note that Brunata makes reservations against operation errors due to lime or blocking of the water meter. Brunata recommends the installation of a filter ball valve before the meter.